

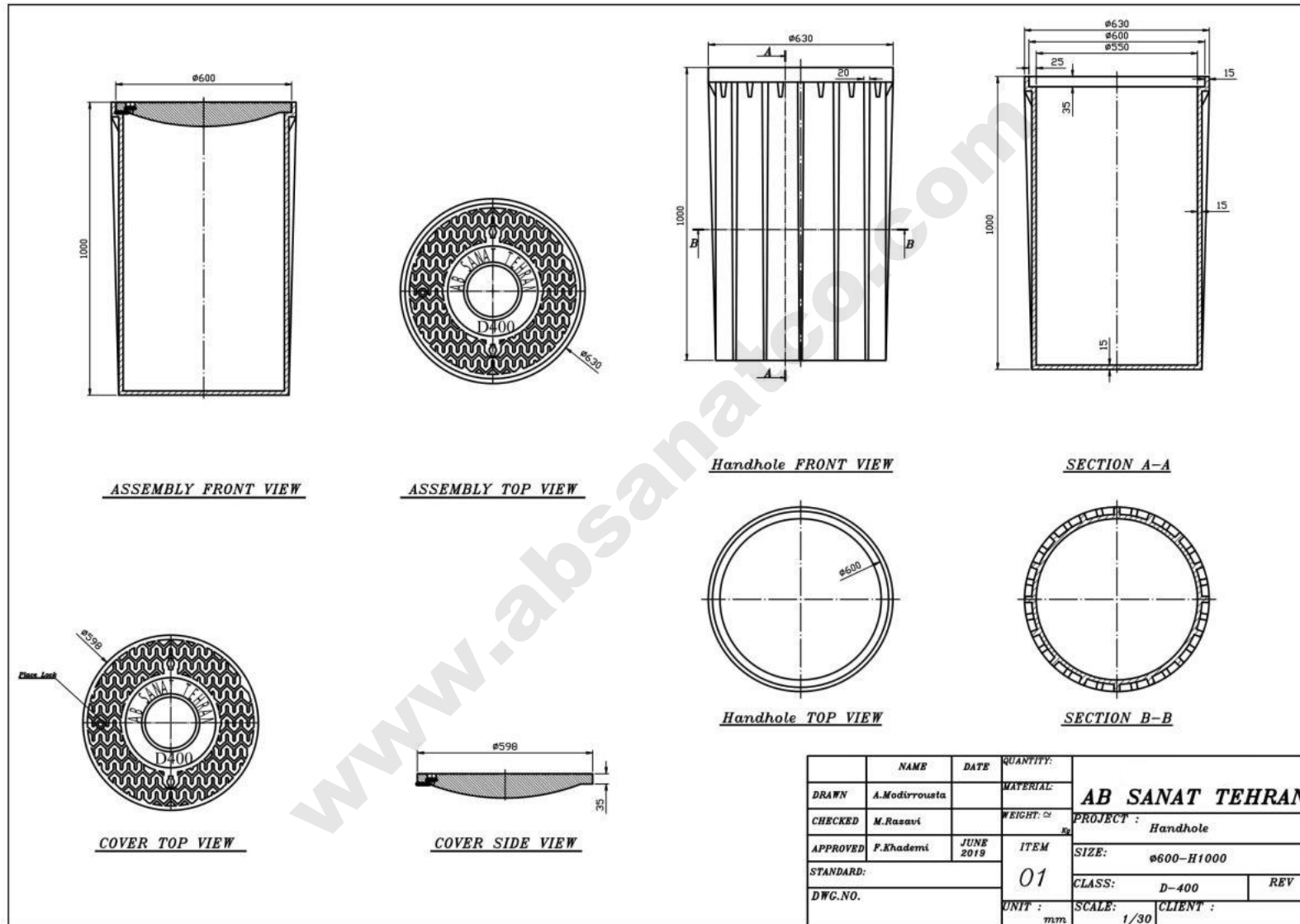
## Data Sheet

Name of Manufacture: AB Sanat Tehran

Product Description: HANDHOLE WITH COVER 600 - 1000 - D400

### General Specifications

Hand-hole and Cover 600 - 1000 - D400			
No	Item	Description	Unit
1	Clear Opening Top	550	mm
2	Clear Opening Bottom	500	mm
3	Outer Size Top	630	mm
4	Outer Size Bottom	530	mm
5	Cover Size	598	mm
6	Cover Thickness	35	mm
7	Hand-hole Body Thickness	15	mm
8	Hand-hole Height	1000	mm
9	Seating	25	mm
10	Cover Weight	...	kg
11	Hand-hole Weight	....	kg
12	Total Weight	....	kg
13	Security Features	Available On Request	....
14	Standard Cover	BS EN 124	....
15	Standard Body	BS EN 15383	....
16	Production-Method	Filament Winding-BMC	....
17	Grade	D-400	....
18	Material	Nano FRP/FRP/GRP	....



	NAME	DATE	QUANTITY:	AB SANAT TEHRAN	
DRAWN	A.Modirrousta		MATERIAL:	PROJECT : Handhole	
CHECKED	M.Rasavi		WEIGHT: Kg	SIZE: 600-H1000	
APPROVED	F.Khademi	JUNE 2019	ITEM	CLASS: D-400	REV
STANDARD:			01	SCALE: 1/30	CLIENT :
DWC.NO.			UNIT : mm		